



**HAL**  
open science

# Arithmetic Operators for Pairing-Based Cryptography

Jean-Luc Beuchat, Nicolas Brisebarre, Jérémie Detrey, Eiji Okamoto

► **To cite this version:**

Jean-Luc Beuchat, Nicolas Brisebarre, Jérémie Detrey, Eiji Okamoto. Arithmetic Operators for Pairing-Based Cryptography. 9th International Workshop on Cryptographic Hardware and Embedded Systems – CHES 2007, Sep 2007, Vienne, Austria. pp.239-255, 10.1007/978-3-540-74735-2\_17. ensl-00137918

**HAL Id: ensl-00137918**

**<https://ens-lyon.hal.science/ensl-00137918>**

Submitted on 23 Mar 2007

**HAL** is a multi-disciplinary open access archive for the deposit and dissemination of scientific research documents, whether they are published or not. The documents may come from teaching and research institutions in France or abroad, or from public or private research centers.

L'archive ouverte pluridisciplinaire **HAL**, est destinée au dépôt et à la diffusion de documents scientifiques de niveau recherche, publiés ou non, émanant des établissements d'enseignement et de recherche français ou étrangers, des laboratoires publics ou privés.

# Arithmetic Operators for Pairing-Based Cryptography<sup>\*</sup>

Jean-Luc Beuchat<sup>1</sup>, Nicolas Brisebarre<sup>2,3</sup>, Jérémie Detrey<sup>3</sup>, and Eiji Okamoto<sup>1</sup>

<sup>1</sup> Laboratory of Cryptography and Information Security, University of Tsukuba,  
1-1-1 Tennodai, Tsukuba, Ibaraki, 305-8573, Japan

<sup>2</sup> LAMUSE, Université J. Monnet, 23, rue du Dr P. Michelon, F-42023 Saint-Étienne  
Cedex, France

<sup>3</sup> LIP/Arénaire (CNRS – ENS Lyon – INRIA – UCBL), ENS Lyon, 46, allée d'Italie,  
F-69364 Lyon Cedex 07, France

LIP Research Report N° 2007–13  
LIP/Arénaire, CNRS – INRIA – ENS Lyon – Université Lyon 1

**Abstract.** Since their introduction in constructive cryptographic applications, pairings over (hyper)elliptic curves are at the heart of an ever increasing number of protocols. Software implementations being rather slow, the study of hardware architectures became an active research area. In this paper, we first study an accelerator for the  $\eta_T$  pairing over  $\mathbb{F}_3[x]/(x^{97} + x^{12} + 2)$ . Our architecture is based on a unified arithmetic operator which performs addition, multiplication, and cubing over  $\mathbb{F}_{3^{97}}$ . This design methodology allows us to design a compact coprocessor (1888 slices on a Virtex-II Pro 4 FPGA) which compares favorably with other solutions described in the open literature. We then describe ways to extend our approach to any characteristic and any extension field.

**Keywords:**  $\eta_T$  pairing, finite field arithmetic, elliptic curve, hardware accelerator, FPGA.

## 1 Introduction

Introduced in cryptography for code-breaking purpose [10, 21], the Weil and Tate pairings are at the heart of an ever increasing number of protocols since the work of Joux [16] who first discovered their constructive properties. The interested reader should refer to the survey by Dutta, Barua, and Sarkar for further details [8]. According to [13, 19], when dealing with general curves providing common levels of security, the Tate pairing seems to be more efficient than the Weil pairing. Let  $E$  be a supersingular<sup>1</sup> elliptic curve over  $\mathbb{F}_{p^m}$ , where  $p$  is a prime and  $m$  a positive integer, and let  $E(\mathbb{F}_{p^m})$  denote the group of its points. Let

---

<sup>\*</sup> This work was supported by the New Energy and Industrial Technology Development Organization (NEDO), Japan.

<sup>1</sup> See Theorem V.3.1 of [26] for a definition.

$\ell > 0$  be an integer relatively prime to  $p$ . The *embedding degree* (or *security multiplier*) is the least positive integer  $k$  satisfying  $p^{km} \equiv 1 \pmod{\ell}$ . Let  $E(\mathbb{F}_{p^m})[\ell]$  denote the  $\ell$ -torsion subgroup of  $E(\mathbb{F}_{p^m})$ , *i.e.* the set of elements  $P$  of  $E(\mathbb{F}_{p^m})$  that satisfy  $[\ell]P = \mathcal{O}$ , where  $\mathcal{O}$  is the point at infinity of the elliptic curve. Let  $P \in E(\mathbb{F}_{p^m})[\ell]$  and  $Q \in E(\mathbb{F}_{p^{km}})[\ell]$ , let  $f_{\ell,P}$  be a rational function on the curve with divisor  $\ell(P) - \ell(\mathcal{O})$  (see [26] for an account on divisors), there exists a divisor  $D_Q$  equivalent to  $(Q) - (\mathcal{O})$ , with a support disjoint from the support of  $f_{\ell,P}$ . Then the Tate pairing<sup>2</sup> of order  $\ell$  is the map  $e_\ell : E(\mathbb{F}_{p^m})[\ell] \times E(\mathbb{F}_{p^{km}})[\ell] \rightarrow \mathbb{F}_{p^{km}}^*$  defined by  $e_\ell(P, Q) = f_{\ell,P}(D_Q)^{(p^{km}-1)/\ell}$ . It satisfies the following properties:

- Non-degeneracy. For all  $P \in E(\mathbb{F}_{p^m})[\ell] \setminus \{\mathcal{O}\}$ , there is some point  $Q \in E(\mathbb{F}_{p^{km}})[\ell]$  such that  $e_\ell(P, Q) \neq 1$ .
- Bilinearity. For all  $P, P_1, P_2 \in E(\mathbb{F}_{p^m})[\ell]$  and  $Q, Q_1, Q_2 \in E(\mathbb{F}_{p^{km}})[\ell]$ ,  $e_\ell(P_1 + P_2, Q) = e_\ell(P_1, Q)e_\ell(P_2, Q)$  and  $e_\ell(P, Q_1 + Q_2) = e_\ell(P, Q_1)e_\ell(P, Q_2)$ . Hence, for all  $P \in E(\mathbb{F}_{p^m})[\ell]$  and  $Q \in E(\mathbb{F}_{p^{km}})[\ell]$ , and for all  $a \in \mathbb{Z}$ ,  $e_\ell([a]P, Q) = e_\ell(P, [a]Q) = e_\ell(P, Q)^a$ .

In [3], Barreto *et al.* proved that this pairing can be computed as  $e_\ell(P, Q) = f_{\ell,P}(Q)^{\frac{p^k-1}{\ell}}$ , where  $f_{\ell,P}$  is evaluated on a point rather than on a divisor.

In this paper, we deal with the characteristic three case and consider  $E^b$ , a supersingular elliptic curve over  $\mathbb{F}_{3^m}$ :  $E^b : y^2 = x^3 - x + b$ , with  $b \in \{-1, 1\}$ . According to [3], curves over fields of characteristic three often offer the best possible ratio between security level and space requirements.

Different ways for computing the Tate pairing can be found in [3, 9, 11, 20]. In [2], Barreto *et al.* introduced the  $\eta_T$  pairing which extended and improved the Duursma-Lee techniques [9]. To do it, they first need to consider the following distortion map  $\psi : E^b(\mathbb{F}_{3^m}) \rightarrow E^b(\mathbb{F}_{3^{6m}})$  defined, for all  $R \in E^b(\mathbb{F}_{3^m})$  by  $\psi(R) = \psi(x_r, y_r) = (-x_r + \rho, y_r\sigma)$ , where  $\sigma$  and  $\rho$  belong to  $\mathbb{F}_{3^{6m}}$  and respectively satisfy  $\sigma^2 = -1$  and  $\rho^3 = \rho + b$  (that concept of distortion map was introduced in [28]). We define the modified Tate pairing  $\hat{e}$  by  $\hat{e}(P, Q) = e(P, \psi(Q))$  for all  $P, Q \in E(\mathbb{F}_{3^m})[\ell]$ .

Moreover, following [17], we construct  $\mathbb{F}_{3^{6m}}$  as an extension of  $\mathbb{F}_{3^m}$  using the basis  $(1, \sigma, \rho, \sigma\rho, \rho^2, \sigma\rho^2)$ , which is equivalent to considering the tower  $\mathbb{F}_{3^m}, \mathbb{F}_{3^{2m}} \simeq \mathbb{F}_{3^m}[y]/(y^2+1)$  and  $\mathbb{F}_{3^{6m}} \simeq \mathbb{F}_{3^{2m}}[z]/(z^3-z-b)$ . Hence, the computations over  $\mathbb{F}_{3^{6m}}$  are replaced by computations over  $\mathbb{F}_{3^m}$ .

The  $\eta_T$  pairing is defined by  $\eta_T(P, Q) = f_{T,P}(\psi(Q))$ , for some  $T \in \mathbb{Z}$  and for all  $P$  and  $Q \in E(\mathbb{F}_{3^m})[\ell]$ . To get a well-defined, non-degenerate, bilinear pairing, a final exponentiation is required: namely  $\eta_T(P, Q)^W$  in our case, where  $W = (3^{3m} - 1)(3^m + 1)(3^m - b3^{\frac{m+1}{2}} + 1)$ . Moreover, the  $\eta_T$  pairing is related to the modified Tate pairing by  $(\eta_T(P, Q)^W)^{3T^2} = \hat{e}(P, Q)^Z$ , where  $T = -b3^{\frac{m+1}{2}} - 1$  and  $Z = -b3^{\frac{m+3}{2}}$ . If  $v$  denotes  $\eta_T(P, Q)^W$ , the modified Tate pairing can be computed as follows

$$\hat{e}(P, Q) = v^{-2} \cdot \left( v^{3^{(m+1)/2}} \cdot \sqrt[3^m]{v^{3^{(m-1)/2}}} \right)^{-b}.$$

<sup>2</sup> We give here the definition from [3], slightly different from the initial one given in [10].

The algorithm given in [2] for computing the  $\eta_T$  pairing halves the number of iterations used in the approach by Duursma and Lee [9] but has the drawback of using inverse Frobenius maps. In [6] Beuchat *et al.* proposed a modified  $\eta_T$  pairing algorithm in characteristic three that does not require any inverse Frobenius map. Moreover, they designed a novel arithmetic operator implementing addition, cubing, and multiplication over  $\mathbb{F}_{3^{97}}$  which performs in a fast and cheap way the final exponentiation  $\eta_T(P, Q)^W$  [5]. In this paper, we extend this approach to the computation of the full  $\eta_T$  pairing (*i.e.* including the final exponentiation). In Section 2, we present a compact implementation of the  $\eta_T$  pairing over the field  $\mathbb{F}_{3^{97}}$ . Then, we show in Section 3 that our approach can be generalized to any characteristic  $p$  and degree- $m$  irreducible polynomial  $f(x)$  over  $\mathbb{F}_p$ . That generalization is an interesting issue since larger extension degrees could probably be considered in a close future for guaranteeing the security of pairing-based cryptosystems.

## 2 Calculation of the $\eta_T$ Pairing in Characteristic Three

The bilinearity of  $\eta_T(P, Q)^W$  ensures that:

$$\eta_T(P, Q)^W = \sqrt[3^m]{\left( \eta_T \left( \left[ 3^{\frac{m-1}{2}} \right] P, Q \right)^{3^{\frac{m+1}{2}}} \right)^W}.$$

Beuchat *et al.* proposed an algorithm for the calculation of  $\eta_T(P, Q)^{3^{(m+1)/2}}$  in characteristic three without any inverse Frobenius map [6]. Therefore, inexpensive pre- and post-processing steps allow one to perform the original  $\eta_T$  pairing. Recall that, for  $(x_p, y_p) \in E(\mathbb{F})$ ,  $[3](x_p, y_p) = (x_p^9 - b, -y_p^9)$  (see for instance [3]). Thus, the computation of  $[3^{(m-1)/2}]P$  involves only  $2m-2$  cubings and  $(m-1)/2$  additions over  $\mathbb{F}_{3^m}$ . The  $3^m$ -th root over  $\mathbb{F}_{3^{6m}}$  is a straightforward operation requiring only seven additions (or subtractions) over  $\mathbb{F}_{3^m}$  (see for instance [6]). The final exponentiation is carried out according to a novel algorithm introduced by Shirase, Takagi, and Okamoto in [24]. This scheme involves additions, cubings, multiplications, and a single inversion over  $\mathbb{F}_{3^m}$ .

In this section we will consider the field  $\mathbb{F}_{3^{97}} = \mathbb{F}_3[x]/(x^{97} + x^{12} + 2)$  and the curve  $y^2 = x^3 - x + 1$  over  $\mathbb{F}_{3^{97}}$  (*i.e.*  $b = 1$ ; a straightforward adaptation makes it possible to address the  $b = -1$  case). This choice of parameters allows us to easily compare our work against the many pairing accelerators for  $m = 97$  described in the open literature. Instead of embedding dedicated hardware to perform the inversion over  $\mathbb{F}_{3^{97}}$  according to the Extended Euclidean Algorithm (EEA), Beuchat *et al.* [5] proposed an algorithm based on Fermat's little theorem and on Itoh and Tsujii's work [15] for  $\mathbb{F}_{3^{97}}$ . It involves 96 cubings and 9 multiplications. Algorithm 1 summarizes the computation of the full pairing. It is worth noticing that  $\eta_T(P, Q)^W$  can be computed only by means of additions (or subtractions), multiplications, and cubings over  $\mathbb{F}_{3^{97}}$ . In the following, we describe the implementation of Algorithm 1 on a Virtex-II Pro 4 Field-Programmable Gate Array (FPGA) and compare our pairing accelerator against results published by other researchers.

---

**Algorithm 1** Computation of  $\eta_T(P, Q)^W$  for  $b = 1$  [6].

---

**Input:**  $P = (x_p, y_p)$  and  $Q = (x_q, y_q) \in E(\mathbb{F}_{3^m})[l]$ . The algorithm requires  $R_0$  and  $R_1 \in \mathbb{F}_{3^{6m}}$ , as well as  $r_0 \in \mathbb{F}_{3^m}$  and  $d \in \mathbb{F}_3$  for intermediate computations.

**Output:**  $\eta_T(P, Q)^{(3^{3m-1})(3^m+1)(3^m+1-3^{(m+1)/2})}$ .

- 1: **for**  $i = 0$  to  $\frac{m-1}{2} - 1$  **do**
- 2:  $x_p \leftarrow x_p^9 - 1$ ;  $y_p \leftarrow -y_p^9$ ;
- 3: **end for**
- 4:  $y_p \leftarrow -y_p$ ;  $d \leftarrow 1$ ;
- 5:  $r_0 \leftarrow x_p + x_q + d$ ;
- 6:  $R_0 \leftarrow -y_p r_0 + y_q \sigma + y_p \rho$ ;
- 7:  $R_1 \leftarrow -r_0^2 + y_p y_q \sigma - r_0 \rho - \rho^2$ ;
- 8:  $R_0 \leftarrow (R_0 R_1)^3$ ;
- 9: **for**  $i = 0$  to  $\frac{m-1}{2} - 1$  **do**
- 10:  $y_p \leftarrow -y_p$ ;  $x_q \leftarrow x_q^9$ ;  $y_q \leftarrow y_q^9$ ;  $d \leftarrow (d - 1) \bmod 3$ ;
- 11:  $r_0 \leftarrow x_p + x_q + d$ ;
- 12:  $R_1 \leftarrow -r_0^2 + y_p y_q \sigma - r_0 \rho - \rho^2$ ;
- 13:  $R_0 \leftarrow (R_0 R_1)^3$ ;
- 14: **end for**
- 15:  $R_0 \leftarrow R_0^{(3^{3m-1})(3^m+1)(3^m+1-3^{(m+1)/2})}$ ;
- 16:  $R_0 \leftarrow \sqrt[3^m]{R_0}$ ;
- 17: **Return**  $R_0$ ;

---

## 2.1 An Accelerator for the $\eta_T$ Pairing Calculation

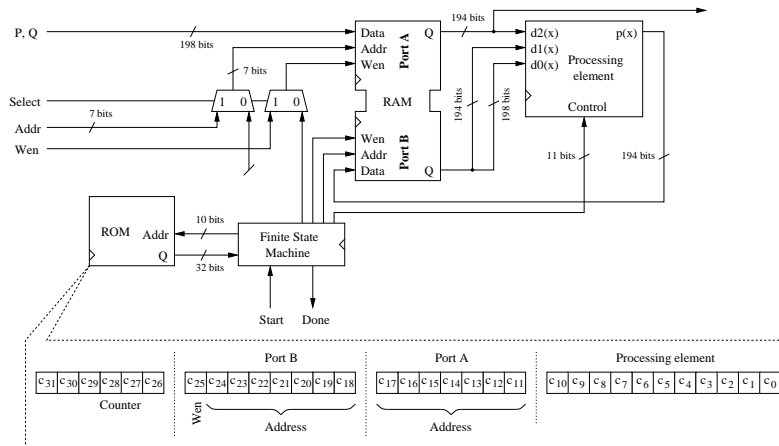
In [5] Beuchat *et al.* designed a unified arithmetic operator able to perform addition, multiplication, and cubing over  $\mathbb{F}_3[x]/(f(x))$ , where  $f(x) = x^{97} + x^{12} + 2$  [5]. The operator is based on the array multiplier architecture proposed by Shu, Kwon, and Gaj in [25] (see [27] for an introduction to array multipliers). Since such multipliers process  $D$  coefficients of an operand at each clock cycle, they mainly consist of  $D$  Partial Product Generators (PPGs), a  $D$ -operand adder, and an accumulator. Figure 1 illustrates the architecture of this operator for  $D = 3$ ; it is controlled by eleven bits labelled  $c_i$ . Let  $a(x)$  and  $b(x)$  belong to  $\mathbb{F}_3[x]/(f(x))$ . In order to compute  $a(x) \times b(x)$ , one has to load  $a(x)$  in the shift register  $R0$ , and  $b(x)$  in registers  $R1$  and  $R2$ . Multiplication is then carried out in  $\lceil m/D \rceil = \lceil 97/3 \rceil = 33$  clock cycles. The first iteration computes  $p(x) = a_{96}b(x)$  ( $c_4 = c_6 = c_7 = c_8 = 1$ ,  $c_{10} = 0$ ). Then, we update  $p(x)$  as follows:

$$p(x) \leftarrow x^3 p(x) \bmod f(x) + a_{3i+2} x^2 b(x) \bmod f(x) + a_{3i+1} x b(x) \bmod f(x) + a_{3i} b(x),$$

where  $31 \geq i \geq 0$ . Addition is somewhat more complex and we will use the toy example proposed in [5] to illustrate how the operator works. Let us assume we have to compute  $-a(x) + b(x)$ . We respectively load  $a(x)$  and  $b(x)$  in registers  $R2$  and  $R1$  and define a control word stored in  $R0$  so that  $d0_{3i} = 2$ ,  $d0_{3i+1} = 1$ , and  $d0_{3i+2} = 0$ . We will thus compute  $(2a(x) + b(x) + 0 \cdot a(x)) \bmod f(x) = (-a(x) + b(x)) \bmod f(x)$ . Beuchat *et al.* noticed that  $a(x)^3 = \nu_0(x) + \nu_1(x) + \nu_2(x)$ , where  $\nu_0(x)$ ,  $\nu_1(x)$ , and  $\nu_2(x)$  belong to  $\mathbb{F}_{3^{97}}$  (see Appendix B). Thus, cubing requires the addition of three operands as well as some wiring to compute the  $c_i(x)$ 's. It



Since the implementation of the final exponentiation on such an architecture has already been discussed in [5], we will focus here on the computation of  $\eta_T \left( \left[ 3^{(m-1)/2} \right] P, Q \right)^{3^{(m+1)/2}}$ . It is now well known that the tower field representation and Karatsuba-Ofman's algorithm allows one to replace a multiplication over  $\mathbb{F}_{3^{6m}}$  by 18 multiplications and 58 additions over  $\mathbb{F}_{3^m}$  (see for instance [5, 17]). Further optimizations are however possible in the case of the  $\eta_T$  pairing calculation. Multiplying  $R_0 = -y_p r_0 + y_q \sigma + y_p \rho$  by  $R_1 = -r_0^2 + y_p y_q \sigma - r_0 \rho - \rho^2$  involves for instance only 8 multiplications and 9 additions over  $\mathbb{F}_{3^m}$  (see Algorithm 4 in Appendix A for details). As pointed out by Bertoni *et al* [4], the multiplication over  $\mathbb{F}_{3^{6m}}$  occurring in the main loop of the pairing calculation (Algorithm 1) requires 13 multiplications over  $\mathbb{F}_{3^m}$ .



**Fig. 2.** Architecture of the  $\eta_T$  pairing accelerator.

The implementation of Algorithm 1 on this architecture takes 895 instructions<sup>3</sup> which are executed in 32618 clock cycles. The inversion over  $\mathbb{F}_{3^{97}}$  is performed by means of 96 cubings and 9 multiplications over  $\mathbb{F}_{3^{97}}$  [5]. Eighteen control words, stored in the dual-port RAM, manage all additions and cubings involved in the computation of the full pairing. Table 1 summarizes the operations over  $\mathbb{F}_{3^m}$  needed in the computation of  $\eta_T(P, Q)^W$ . The last column indicates the number of clock cycles during which only load/store operations are performed. When  $m = 97$ , our coprocessor is for instance idle during 1704 clock cycles (*i.e.* 5.2% of the total computation time).

<sup>3</sup> 229 instructions for the computation of  $\eta_T(3^{(m-1)/2}P, Q)^{3^{(m+1)/2}}$ ; 666 instructions for the final exponentiation and the  $3^m$ -th root over  $\mathbb{F}_{3^{6m}}$ .

**Table 1.** Operations over  $\mathbb{F}_{3^m}$  involved in the computation of  $\eta_T(P, Q)^W$ .

	Additions	Cubings	Multiplications	Inversion	Idle
<b>Point tripling</b>	$\frac{m-1}{2}$	$2m - 2$	–	–	5
<b>Pairing</b>	$25m - 6$	$5m + 1$	$15 \cdot \frac{m-1}{2} + 8$	–	$14m - 4$
<b>Final exp.</b>	477	$3m + 3$	78	1	344
$\sqrt[3^m]{}$	7	–	–	–	1
<b>Total</b>	$51 \cdot \frac{m-1}{2} + 503$	$10m + 2$	$15 \cdot \frac{m-1}{2} + 86$	1	$14m + 346$

## 2.2 Results and Comparisons

The architecture described by Figure 2 was captured in the VHDL language and prototyped on a Xilinx Virtex-II Pro 4 device (XC2VP4-6FF672). Both synthesis and place-and-route steps were performed with ISE WebPACK 8.2.03i. Our processor requires 1888 slices and 6 memory blocks. Since a Virtex-II Pro 4 does not have enough I/Os for parallel communications with a computer, the number of slices reported here includes shift registers to receive/send data in a serial fashion. The clock frequency of 147 MHz allows one to compute  $\eta_T(P, Q)^W$  according to Algorithm 1 in 222  $\mu$ s. Table 2 provides the reader with a comparison against architectures proposed by other researchers for  $p = 3$  and  $m = 97$ .

Grabher and Page designed a coprocessor dealing with arithmetic over  $\mathbb{F}_{3^m}$ , which is controlled by a general purpose processor [12]. The ALU embeds an adder, a subtracter, a multiplier (with  $D = 4$ ), a cubing unit, and a cube root operator based on the method highlighted by Barreto [1]. This architecture occupies 4481 slices and allows one to perform the Duursma-Lee algorithm and its final exponentiation in 432.3  $\mu$ s. The main advantage is maybe that the control can be compiled using a re-targeted GCC tool-chain and other algorithms should easily be implemented on this architecture. Our approach leads however to a much simpler control unit and allows us to divide the number of slices by 2.3.

Another implementation of the Duursma-Lee algorithm was proposed by Kerins *et al.* in [17]. It features a parallel multiplier over  $\mathbb{F}_{3^{6m}}$  based on Karatsuba-Ofman’s scheme. Since the final exponentiation requires a general multiplication over  $\mathbb{F}_{3^{6m}}$ , the authors can not take advantage of the optimizations described in this paper and in [4] for the pairing calculation. Therefore, the hardware architecture consists of 18 multipliers and 6 cubing circuits over  $\mathbb{F}_{3^{97}}$ , along with, quoting [17], “a suitable amount of simpler  $\mathbb{F}_{3^m}$  arithmetic circuits for performing addition, subtraction, and negation”. Since the authors claim that roughly 100% of available resources are required to implement their pairing accelerator, the cost can be estimated to 55616 slices [25]. The approach proposed in this paper reduces the area and the computation time by 29 and 3.8 respectively.

Beuchat *et al.* described a fast architecture for the computation of the  $\eta_T$  pairing [6]. The authors introduced a novel multiplication algorithm over  $\mathbb{F}_{3^{6m}}$  which takes advantage of the constant coefficients of  $R_1$ . Thus, this design must be supplemented with a coprocessor for final exponentiation and the full pairing



accelerator requires around 18000 LEs on a Cyclone II FPGA [5]. The computation of the pairing and the final exponentiation require 4849 and 4082 clock cycles respectively. Since both steps are pipelined, we can consider that a new result is returned after 4849 clock cycles if we perform a sufficient amount of consecutive full  $\eta_T$  pairings. In order to compare our accelerator against this architecture, we implemented it on an Altera Cyclone II EP2C35F672C6 FPGA with Quartus II 6.0 Web Edition. Our design occupies 2846 LEs and the maximal clock frequency of 125 MHz allows one to compute a pairing in 261  $\mu s$ . The architecture proposed in this paper is therefore 8 times slower, but 6.3 times smaller. Note that the critical path is located in the control unit: the glue logic generated by Quartus II to interconnect M4K memory blocks storing the instructions seems to slow the whole design down. It is possible to further pipeline the control unit and to compute the full pairing in 222  $\mu s$ .

In order to study the trade-off between circuit area and calculation time of the  $\eta_T$  pairing, Ronan *et al.* wrote a C program which automatically generates a VHDL description of a coprocessor and its control unit according to the number of multipliers over  $\mathbb{F}_{3^m}$  to be included and the parameter  $D$  [23]. An architecture embedding three multipliers processing  $D = 8$  coefficients at each clock cycle computes for instance a full pairing in 178  $\mu s$ . Though 1.25 times faster, this design requires five times the amount of slices of our pairing accelerator. Our approach offers a better compromise between area and calculation time.

**Table 2.** Comparisons against FPGA-based accelerators over  $\mathbb{F}_{3^{97}}$ . The parameter  $D$  refers to the number of coefficients processed at each clock cycle by a multiplier.

	<b>Grabher and Page [12]</b>	<b>Kerins <i>et al.</i> [17]</b>	<b>Beuchat <i>et al.</i> [5, 6]</b>
<b>Algorithm</b>	Duursma-Lee	Duursma-Lee	$\eta_T$ pairing
<b>FPGA</b>	Virtex-II Pro 4	Virtex-II Pro 125	Cyclone II EP2C35
<b>Multiplier(s)</b>	1 ( $D = 4$ )	18 ( $D = 4$ )	9 ( $D = 3$ )
<b>Area</b>	4481 slices	55616 slices	$\sim 18000$ LEs
<b>Clock cycles</b>	59946	12866	4849
<b>Clock frequency</b>	150 MHz	15 MHz	149 MHz
<b>Calculation time</b>	432.3 $\mu s$	850 $\mu s$	33 $\mu s$

	<b>Ronan <i>et al.</i> [23]</b>		<b>Proposed architecture</b>
<b>Algorithm</b>	$\eta_T$ pairing	$\eta_T$ pairing	$\eta_T$ pairing
<b>FPGA</b>	Virtex-II Pro 100	Virtex-II Pro 100	Virtex-II Pro 4
<b>Multiplier(s)</b>	3 ( $D = 8$ )	2 ( $D = 8$ )	1 ( $D = 3$ )
<b>Area</b>	10000 slices	7491 slices	1888 slices
<b>Clock cycles</b>	15113	17190	32618
<b>Clock frequency</b>	70.4 MHz	70.4 MHz	147 MHz
<b>Calculation time</b>	178 $\mu s$	203 $\mu s$	222 $\mu s$

### 3 Arithmetic over $\mathbb{F}_{p^m}$

The unified operator for arithmetic over  $\mathbb{F}_3[x]/(x^{97} + x^{12} + 2)$  introduced in [5] allowed us to design the smallest FPGA-based pairing accelerator in the open literature. However, in order to guarantee the security of pairing-based cryptosystems in a near future, larger extension degrees will probably have to be considered, thus raising the question of designing such a unified operator for other extension fields. We wrote a C++ program which automatically generates a synthesizable VHDL description of a unified operator according to the characteristic and the irreducible polynomial  $f(x)$ .

#### 3.1 Addition, Multiplication, and Frobenius Map over $\mathbb{F}_{p^m}$

The architecture of the operators generated by our program is directly inspired from the unified operator given in Figure 1 and can be adapted to any prime characteristic  $p$  and any irreducible polynomial  $f(x)$  of degree  $m$ .

Addition over  $\mathbb{F}_p[x]/(f(x))$  is performed in the same way as in the operator over  $\mathbb{F}_{397}$  presented in [5]: the digits of the two operands are all added in parallel, thus requiring  $m$  additions over  $\mathbb{F}_p$ . In the current version of the generator, those additions over  $\mathbb{F}_p$  are implemented as simple look-up tables addressed by the bits of the two operands, particularly suited for small values of  $p$  (typically  $p = 2$  to 7). For higher characteristics, it will be necessary to resort to more complex methods for modular addition [22].

Also as in the original operator, multiplication over  $\mathbb{F}_p[x]/(f(x))$  relies on a parallel-serial algorithm, with  $D$  digits of the multiplier being processed at each iteration. The generation of the partial products, which consists in multiplying all the digits of the multiplicand with each digit of the multiplier, requires  $m$  multiplications over  $\mathbb{F}_p$  in parallel for each of the  $D$  partial products. Here also, the multiplications over  $\mathbb{F}_p$  are directly tabulated, as this is the best solution for small characteristics. Once the  $D$  partial products are computed, the  $D - 1$  most significant ones along with the accumulator are then multiplied by  $x^k$  (where  $k$  ranges from 1 to  $D$ ) and reduced modulo  $f(x)$ . After the modular reductions, the  $D$  partial products and the accumulator are added thanks to a binary tree of adders over  $\mathbb{F}_{p^m}$ . Consequently, in order to optimize the critical path of this multioperand adder, one should choose a parameter  $D$  of the form  $2^n - 1$  (typically  $D = 3, 7, 15$  or 31).

Concerning the Frobenius map, which consists in raising the operand  $a(x)$  to the  $p$ th power, our generator first computes the normal form of  $a(x)^p \bmod f(x)$ , for a generic polynomial  $a(x)$ , by reducing the following expression modulo  $f(x)$ :

$$a(x)^p \bmod f(x) = \sum_{i=0}^{m-1} a_i^p x^{ip} \bmod f(x) = \sum_{i=0}^{m-1} a_i x^{ip} \bmod f(x).$$

This general expression of the Frobenius map can then be seen as a sum of elements of  $\mathbb{F}_{p^m}$ . The coefficients of those polynomials are directly mapped to the coefficients of the operand, possibly multiplied by a constant. As presented

in [5], it is possible to reuse the partial product generation hardware of the multiplication in order to compute those polynomials, only some extra wiring being required for the permutation of the coefficients. The sum of all the polynomials can then be computed by the final multi-operand adder.

In order to decrease the number of partial products necessary to compute the Frobenius map, a simple decomposition technique can be applied to share the maximum amount of hardware between these partial products. In case this is still not enough, a second technique can further pack the partial products, at the expense of some additions over  $\mathbb{F}_p$ . The intuition behind these two techniques is given in a simple example in Appendix B.

### 3.2 Inverse Frobenius Map

Although the algorithm we present here for the  $\eta_T$  pairing over  $\mathbb{F}_{3^m}$  does not require to compute any inverse Frobenius map (*i.e.*  $\sqrt[p]{a(x)}$ ), some other algorithms still rely on this function. To also support those algorithms, the generic unified operator proposed in this paper is available in two flavors: namely either only addition, multiplication and Frobenius map as presented in the previous section, or a four-in-one operator with extra hardware for the inverse Frobenius map. This function is computed exactly in the same way as the Frobenius map: first, the normal form of  $\sqrt[p]{a(x)} \bmod f(x)$  is obtained by solving the  $m$ -dimensional linear system given by the equation  $\left(\sqrt[p]{a(x)}\right)^p \bmod f(x) = a(x)$ . The result is then expressed as a sum of polynomials, each one being a permutation of the coefficients of the operand  $a(x)$  multiplied by a constant. Note that the reduction techniques presented for the Frobenius map also apply in the case of the inverse map.

### 3.3 Inversion over $\mathbb{F}_{p^m}$

Recall that, in the case of  $\mathbb{F}_{3^{97}}$  [5], our pairing accelerator performs the inversion required for the final exponentiation according to Fermat's little theorem and Itoh and Tsujii's work [15] by means of 96 cubings and 9 multiplications. Algorithm 2 describes a generalization of this method to any characteristic and extension degree. Inversion over  $\mathbb{F}_{p^m}$  involves  $m - 1$  Frobenius maps and

$$\#M_{\text{Algo. 2}} = \begin{cases} \lfloor \log_2(m-1) \rfloor + wt(m-1) - 1 & \text{if } p = 2, \\ \lfloor \log_2(m-1) \rfloor + \lfloor \log_2(p-1) \rfloor + \lfloor \log_2(p-2) \rfloor + \\ \quad wt(m-1) + wt(p-1) + wt(p-2) - 2 & \text{otherwise} \end{cases}$$

multiplications over  $\mathbb{F}_{p^m}$ , where  $wt(k)$  denotes the Hamming weight of the binary representation of the integer  $k$ . A unified operator with addition, multiplication, and Frobenius allows one to implement this inversion algorithm.

At the price of a slightly more complex shift register (register  $R0$  on Figure 1) and another control bit, we can further reduce the calculation time. Let  $r = (p^m - 1)/(p - 1)$  and  $a \in \mathbb{F}_{p^m}^*$ . Since  $(a^r)^{p-1} = a^{p^m-1} = 1$ ,  $a^r$  belongs to  $\mathbb{F}_p$  and the multiplicative inverse of  $a$  is computed as  $a^{r-1}(a^r)^{-1}$  [14]. Algorithm 3 summarizes this scheme which is often applied for inversion in optimal extension

---

**Algorithm 2** Inversion over  $\mathbb{F}_{p^m}$  (1).
 

---

**Input:** A prime number  $p$ , a positive integer  $m$ , and  $a \in \mathbb{F}_{p^m}$ .

**Output:**  $a^{-1} \in \mathbb{F}_{p^m}$ .

- 1:  $k \leftarrow \lfloor \log_2(m-1) \rfloor - 1$ ;  $n \leftarrow wt(m-1)$ ;  $y_0 \leftarrow a$ ;
  - 2:  $[b_1, \dots, b_n] \leftarrow$  finite increasing sequence of the exponents in the binary expansion of  $m-1$  (i.e.  $m-1 = \sum_{i=1}^n 2^{b_i}$ );
  - 3: **for**  $i = 0$  to  $k$  **do**
  - 4:  $z_i \leftarrow y_i^{p^{2^i}}$ ;
  - 5:  $y_{i+1} \leftarrow z_i y_i$ ;
  - 6: **end for**
  - 7: **for**  $i = n-1$  **downto** 1 **do**
  - 8:  $z_{k+n-i} \leftarrow y_{k+n-i}^{p^{2^{b_i}}}$ ;
  - 9:  $y_{k+n+1-i} \leftarrow z_{k+n-i} y_{b_i}$ ;
  - 10: **end for**
  - 11: **if**  $p = 2$  **then**
  - 12: Return  $y_{k+n}^2$ ;
  - 13: **else**
  - 14:  $y_{k+n+1} \leftarrow y_{k+n}^{p-1}$ ;
  - 15:  $y_{k+n+2} \leftarrow y_{k+n+1}^p$ ;
  - 16: Return  $y_0 y_{k+n+2}$ ;
  - 17: **end if**
- 

fields [7]. Since the  $p$ -adic representation of  $r-1$  is  $p^{m-1} + \dots + p^2 + p$  we compute  $s = a^{r-1}$  by means of  $m-1$  Frobenius maps and  $\lfloor \log_2(m-1) \rfloor + wt(m-1) - 1$  multiplications over  $\mathbb{F}_p$ . Another multiplication over  $\mathbb{F}_{p^m}$  is required to get  $t = as$ . The last step consists in computing the inverse of  $t \in \mathbb{F}_p$  and to multiply all coefficients of  $s$  by  $t^{-1} \in \mathbb{F}_p$ . In characteristic three, this inversion is implemented by means of two LUTs on a Virtex-II Pro FPGA. We load  $s = a^{r-1}$  in register  $R2$  and  $t = a^r$  in  $R0$ . Since  $t$  belongs to  $\mathbb{F}_p$ , we have  $t_i = 0, \forall i \neq 0$ , and therefore  $d\theta_{3i+1} = d\theta_{3i+2} = 0$ . An additional multiplexer allows us to select  $d\theta_{3i} = t_0^{-1}$  and our operator returns  $st^{-1} = a^{-1}$ . We can neglect this last operation and estimate the cost of Algorithm 3 to  $m-1$  Frobenius maps and  $\#M_{\text{Algo. 3}} = \lfloor \log_2(m-1) \rfloor + wt(m-1)$  multiplications over  $\mathbb{F}_{p^m}$ .

---

**Algorithm 3** Inversion over  $\mathbb{F}_{p^m}$  (2).
 

---

**Input:** A prime number  $p$ , a positive integer  $m$ , and  $a \in \mathbb{F}_{p^m}$ .

**Output:**  $a^{-1} \in \mathbb{F}_{p^m}$ .

- 1:  $r \leftarrow (p^m - 1)/(p - 1)$ ;
  - 2:  $s \leftarrow a^{r-1}$ ;
  - 3:  $t \leftarrow as$ ;
  - 4: Return  $st^{-1}$ ;
- 

Table 3 provides the reader with a comparison between Algorithm 2, Algorithm 3, and the EEA. We assume that the accelerator embeds a single unified operator and carries out the pairing calculation according to Algorithm 1. Recall

that the EEA performs an inversion over  $\mathbb{F}_{3^m}$  in  $2m$  clock cycles [18]. Then, Table 1,  $\#M_{\text{Algo. 2}}$ , and  $\#M_{\text{Algo. 3}}$  allow us to find out the number of clock cycles and to give examples for  $D = 3$  and 7. Our results indicate that supplementing our coprocessor with dedicated hardware for the EEA would only improve performance by less than 1%. Furthermore, an EEA-based inversion over  $\mathbb{F}_{3^{97}}$  occupies 2210 slices on a Virtex-II Pro FPGA [18] and would more than double the area of the accelerator. Since the calculation of the  $\eta_T$  pairing requires a single inversion over  $\mathbb{F}_{p^m}$ , Algorithm 3 does not significantly reduce the number of clock cycles.

**Table 3.** Relationship between the choice of an inversion algorithm and the calculation time of a full pairing.

(a) Arithmetic over  $\mathbb{F}_{3^{97}}$ .

Inversion		Clock cycles for the full pairing		
Algorithm	Cost	General formula	D = 3	D = 7
Algorithm 2	96 cubings, 9 mult.	$5723 + 815 \cdot \lceil 97/D \rceil$	32618	17133
Algorithm 3	96 cubings, 8 mult.	$5723 + 814 \cdot \lceil 97/D \rceil$	32585	17119
EEA	$2 \cdot m = 194$ clock cycles	$5821 + 806 \cdot \lceil 97/D \rceil$	32419	17105

(b) Arithmetic over  $\mathbb{F}_{3^{193}}$ .

Inversion		Clock cycles for the full pairing		
Algorithm	Cost	General formula	D = 3	D = 7
Algorithm 2	192 cubings, 10 mult.	$10571 + 1536 \cdot \lceil 193/D \rceil$	110411	53579
Algorithm 3	192 cubings, 9 mult.	$10571 + 1535 \cdot \lceil 193/D \rceil$	110346	53551
EEA	$2 \cdot m = 386$ clock cycles	$10765 + 1526 \cdot \lceil 193/D \rceil$	109955	53493

### 3.4 Results

Our VHDL code generator as well as the general formulas from Table 3 allowed us to estimate the cost of the full  $\eta_T$  pairing computation for several extension fields. Table 4 summarizes these estimations. Note that the reported figures do not take the control unit into account. However, this should not impact on the critical path.

**Table 4.** Estimated area, frequency, and full pairing computation time for various extension fields and values for the parameter  $D$  (Virtex-II Pro family).

Polynomial	$D = 3$	$D = 7$
$x^{97} + x^{12} + 2$ [5]	1402 slices – 147 MHz – 222 $\mu\text{s}$	2189 slices – 117 MHz – 146 $\mu\text{s}$
$x^{97} + x^{16} + 2$ [1]	1392 slices – 151 MHz – 216 $\mu\text{s}$	2246 slices – 116 MHz – 148 $\mu\text{s}$
$x^{193} + x^{64} + 2$ [1]	2811 slices – 126 MHz – 877 $\mu\text{s}$	4450 slices – 108 MHz – 495 $\mu\text{s}$

## 4 Conclusion

We proposed a compact implementation of the  $\eta_T$  pairing in characteristic three over  $\mathbb{F}_3[x]/(x^{97} + x^{12} + 2)$ . Our architecture is based on a unified arithmetic operator which leads to the smallest circuit proposed in the open literature, without impacting too severely on the performances. We also showed that our approach can be generalized to any characteristic  $p$  and degree- $m$  irreducible polynomial  $f(x)$  over  $\mathbb{F}_p$ . Moreover, our VHDL code generator allows one to rapidly explore the trade-off between computation time and circuit resource usage for a large set of architectural parameters (*e.g.*  $p$ ,  $m$ ,  $f(x)$ ).

However, even though we now have automatic tools to generate unified operators, the main difficulty still lies in the scheduling of all the instructions required for the  $\eta_T$  pairing calculation. The next step will therefore be to develop an *ad-hoc* compiler for architectures based on such unified operators.

## References

1. P. S. L. M. Barreto. A note on efficient computation of cube roots in characteristic 3. Cryptology ePrint Archive, Report 2004/305, 2004.
2. P. S. L. M. Barreto, S. Galbraith, C. Ó hÉigartaigh, and M. Scott. Efficient pairing computation on supersingular Abelian varieties. Cryptology ePrint Archive, Report 2004/375, 2004.
3. P. S. L. M. Barreto, H. Y. Kim, B. Lynn, and M. Scott. Efficient algorithms for pairing-based cryptosystems. In M. Yung, editor, *Advances in Cryptology – CRYPTO 2002*, number 2442 in Lecture Notes in Computer Science, pages 354–368. Springer, 2002.
4. G. Bertoni, L. Breveglieri, P. Fragneto, and G. Pelosi. Parallel hardware architectures for the cryptographic Tate pairing. In *Proceedings of the Third International Conference on Information Technology: New Generations (ITNG'06)*. IEEE Computer Society, 2006.
5. J.-L. Beuchat, N. Brisebarre, M. Shirase, T. Takagi, and E. Okamoto. A coprocessor for the final exponentiation of the  $\eta_T$  pairing in characteristic three. Cryptology ePrint Archive, Report 2007/045, 2007.
6. J.-L. Beuchat, M. Shirase, T. Takagi, and E. Okamoto. An algorithm for the  $\eta_T$  pairing calculation in characteristic three and its hardware implementation. Cryptology ePrint Archive, Report 2006/327, 2006.
7. H. Cohen and G. Frey, editors. *Handbook of Elliptic and Hyperelliptic Curve Cryptography*. Chapman & Hall/CRC, 2005.
8. R. Dutta, R. Barua, and P. Sarkar. Pairing-based cryptographic protocols: A survey. Cryptology ePrint Archive, Report 2004/64, 2004.
9. I. Duursma and H. S. Lee. Tate pairing implementation for hyperelliptic curves  $y^2 = x^p - x + d$ . In C. S. Lai, editor, *Advances in Cryptology – ASIACRYPT 2003*, number 2894 in Lecture Notes in Computer Science, pages 111–123. Springer, 2003.
10. G. Frey and H.-G. Rück. A remark concerning  $m$ -divisibility and the discrete logarithm in the divisor class group of curves. *Math. Comp.*, 62(206):865–874, April 1994.
11. S. D. Galbraith, K. Harrison, and D. Soldera. Implementing the Tate pairing. In C. Fieker and D.R. Kohel, editors, *Algorithmic Number Theory – ANTS V*, number 2369 in Lecture Notes in Computer Science, pages 324–337. Springer, 2002.

12. P. Grabher and D. Page. Hardware acceleration of the Tate Pairing in characteristic three. In J. R. Rao and B. Sunar, editors, *Cryptographic Hardware and Embedded Systems – CHES 2005*, number 3659 in Lecture Notes in Computer Science, pages 398–411. Springer, 2005.
13. R. Granger, D. Page, and N. P. Smart. High security pairing-based cryptography. Cryptology ePrint Archive, Report 2006/059, 2006.
14. J. Guajardo and C. Paar. Itoh-Tsujii inversion in standard basis and its application in cryptography and codes. *Designs, Codes and Cryptography*, 25:207–216, 2002.
15. T. Itoh and S. Tsujii. A fast algorithm for computing multiplicative inverses in  $\text{GF}(2^m)$  using normal bases. *Information and Computation*, 78:171–177, 1988.
16. A. Joux. A One Round Protocol for Tripartite Diffie-Hellman. In W. Bosma, editor, *Algorithmic Number Theory Symposium, ANTS-IV*, number 1838 in Lecture Notes in Computer Science, pages 385–394. Springer, 2000.
17. T. Kerins, W. P. Marnane, E. M. Popovici, and P.S.L.M. Barreto. Efficient hardware for the Tate Pairing calculation in characteristic three. In J. R. Rao and B. Sunar, editors, *Cryptographic Hardware and Embedded Systems – CHES 2005*, number 3659 in Lecture Notes in Computer Science, pages 412–426. Springer, 2005.
18. T. Kerins, E. Popovici, and W. Marnane. Algorithms and architectures for use in FPGA implementations of identity based encryption schemes. In J. Becker, M. Platzner, and S. Vernalde, editors, *Field-Programmable Logic and Applications*, number 3203 in Lecture Notes in Computer Science, pages 74–83. Springer, 2004.
19. N. Koblitz and A. Menezes. Pairing-based cryptography at high security levels. In N. P. Smart, editor, *Cryptography and Coding*, number 3796 in Lecture Notes in Computer Science, pages 13–36. Springer, 2005.
20. S. Kwon. Efficient Tate pairing computation for supersingular elliptic curves over binary fields. Cryptology ePrint Archive, Report 2004/303, 2004.
21. A. Menezes, T. Okamoto, and S. A. Vanstone. Reducing elliptic curves logarithms to logarithms in a finite field. *IEEE Transactions on Information Theory*, 39(5):1639–1646, September 1993.
22. F. Rodríguez-Henríquez, N. A. Saqib, A. D. Pérez, and Ç. K. Koç. *Cryptographic Algorithms on Reconfigurable Hardware*. Springer, 2006.
23. R. Ronan, C. Ó hÉigeartaigh, C. Murphy, T. Kerins, and P. S. L. M. Barreto. Hardware implementation of the  $\eta_T$  pairing in characteristic 3. Cryptology ePrint Archive, Report 2006/371, 2006.
24. M. Shirase, T. Takagi, and E. Okamoto. Some efficient algorithms for the final exponentiation of  $\eta_T$  pairing. Cryptology ePrint Archive, Report 2006/431, 2006.
25. C. Shu, S. Kwon, and K. Gaj. FPGA accelerated Tate pairing based cryptosystem over binary fields. Cryptology ePrint Archive, Report 2006/179, 2006.
26. J. H. Silverman. *The Arithmetic of Elliptic Curves*. Number 106 in Graduate Texts in Mathematics. Springer-Verlag, 1986.
27. L. Song and K. K. Parhi. Low energy digit-serial/parallel finite field multipliers. *Journal of VLSI Signal Processing*, 19(2):149–166, July 1998.
28. E. R. Verheul. Evidence that XTR is more secure than supersingular elliptic curve cryptosystems. *Journal of Cryptology*, 17(4):277–296, 2004.

## A Computation of the $\eta_T$ Pairing

The first multiplication over  $\mathbb{F}_{3^{6m}}$  of the  $\eta_T$  pairing calculation (Algorithm 1) requires only 8 multiplications over  $\mathbb{F}_{3^m}$ . Let  $A = (a_0, a_1, a_2, a_3, a_4, a_5) \in \mathbb{F}_{3^{6m}}$ . We have to compute  $a_0 + a_1\sigma + a_2\rho + a_3\sigma\rho + a_4\rho^2 + a_5\sigma\rho^2 = (-y_p r_0 + y_q \sigma +$

$y_p \rho)(-r_0^2 + y_p y_q \sigma - r_0 \rho - \rho^2)$ . We assume here that  $b = 1$ . Since  $\sigma^2 = 1$  and  $\rho^3 = \rho + 1$ , we obtain:

$$\begin{aligned} a_0 &= y_p r_0^3 - y_p y_q^2, & a_2 &= -y_p, & a_4 &= 0, \\ a_1 &= -y_p^2 y_q r_0 - y_q r_0^2, & a_3 &= -y_q r_0 + y_p^2 y_q, & a_5 &= -y_q. \end{aligned}$$

This multiplication over  $\mathbb{F}_{3^6m}$  is carried out according to Algorithm 4 which requires 8 multiplications and 9 additions over  $\mathbb{F}_{3^m}$ . Note that the number of additions may depend on the architecture of the coprocessor.

---

**Algorithm 4** First multiplication of the  $\eta_T$  pairing calculation.

---

**Input:**  $R_0 = -y_p r_0 + y_q \sigma + y_p \rho$  and  $R_1 = -r_0^2 + y_p y_q \sigma - r_0 \rho - \rho^2 \in \mathbb{F}_{3^6m}$ .

**Output:**  $A = R_0 R_1 \in \mathbb{F}_{3^6m}$ .

- 1:  $e_0 \leftarrow r_0 r_0$ ;  $e_1 \leftarrow y_q r_0$ ;  $e_2 \leftarrow y_p r_0$ ;
  - 2:  $e_3 \leftarrow e_0 e_2$ ; ( $e_3 = y_p r_0^3$ )
  - 3:  $e_4 \leftarrow y_p y_q$ ;
  - 4:  $e_5 \leftarrow e_4 y_q$ ; ( $e_5 = y_p y_q^2$ )
  - 5:  $e_6 \leftarrow e_4 y_p$ ; ( $e_5 = y_p^2 y_q$ )
  - 6:  $e_7 \leftarrow -e_2 + y_q$ ; ( $e_7 = -y_p r_0 + y_q$ )
  - 7:  $e_8 \leftarrow -e_0 + e_4$ ; ( $e_8 = -r_0^2 + y_p y_q$ )
  - 8:  $e_9 \leftarrow e_7 e_8$ ; ( $e_9 = (-y_p r_0 + y_q)(-r_0^2 + y_p y_q)$ )
  - 9:  $a_1 \leftarrow e_9 - e_3 - e_5$ ;  $a_0 \leftarrow e_3 - e_5 - y_p$ ;
  - 10:  $a_3 \leftarrow -e_1 + e_6$ ;  $a_2 \leftarrow -y_p$ ;  $a_4 \leftarrow 0$ ;  $a_5 \leftarrow -y_q$ ;
- 

## B Techniques for Reducing Partial Products in the Frobenius Map

For our unified operators to be able to compute Frobenius maps, we implement this function as a sum of elements of  $\mathbb{F}_{p^m}$ . With  $p = 3$  and  $f(x) = x^{97} + x^{12} + 2$ , we obtain  $a(x)^p \bmod f(x) = \mu_0(x) + \mu_1(x) + \mu_2(x) + \mu_3(x)$ , with

$$\begin{cases} \mu_0(x) = a_0 + a_{65}x + a_{33}x^2 + \dots + a_{96}x^{94} + a_{64}x^{95} + a_{32}x^{96}, \\ \mu_1(x) = a_{89} + 0 + 0 + \dots + a_{88}x^{94} + 0 + 0, \\ \mu_2(x) = a_{93} + 0 + 0 + \dots + a_{92}x^{94} + 0 + 0, \\ \mu_3(x) = (0 + a_{61}x + 0 + \dots + 0 + a_{60}x^{95} + 0) \times 2. \end{cases}$$

We can see that the Frobenius map in this extension field can be mapped as the sum of four polynomials  $\mu_0(x)$  to  $\mu_3(x)$ , the first three with the multiplicity 1 and the last one with the multiplicity 2. Directly implementing our unified operator from this expression therefore would require at least  $D = 4$ . However, as noticed by Beuchat *et al.* [5], for each degree  $i$  for which the coefficient for  $x^i$  in  $\mu_3(x)$  is not zero, the corresponding coefficients in  $\mu_1(x)$  and  $\mu_2(x)$  are always null. Rewriting 2 as  $1 + 1$ , we can then distribute  $\mu_3(x)$  and merge it to



$\mu_1(x)$  and  $\mu_2(x)$  to obtain the following expression, requiring only  $D = 3$  partial product generators:  $a(x)^p \bmod f(x) = \nu_0(x) + \nu_1(x) + \nu_2(x)$ , with

$$\begin{cases} \nu_0(x) = a_0 + a_{65}x + a_{33}x^2 + \dots + a_{96}x^{94} + a_{64}x^{95} + a_{32}x^{96}, \\ \nu_1(x) = a_{89} + a_{61}x + 0 + \dots + a_{88}x^{94} + a_{60}x^{95} + 0, \\ \nu_2(x) = a_{93} + a_{61}x + 0 + \dots + a_{92}x^{94} + a_{60}x^{95} + 0. \end{cases}$$

This technique was fully automatized and implemented in our generator, which can minimize the number of partial products necessary to compute Frobenius maps in any extension field  $\mathbb{F}_p[x]/(f(x))$ . However, in some cases where it is not possible to decrease the number of required partial products to an acceptable value, the generator can also insert adders over  $\mathbb{F}_p$  in order to share each partial product between several polynomials with the same multiplicity. For instance, in our example, we can rewrite the expression of  $a(x)^p \bmod f(x)$  with only  $D = 2$  partial products as:  $a(x)^p \bmod f(x) = \pi_0(x) + \pi_1(x)$ , with

$$\begin{cases} \pi_0(x) = \nu_0(x), \\ \pi_1(x) = \nu_1(x) + \nu_2(x). \end{cases}$$

Similar techniques can also be applied to the inverse Frobenius map  $\sqrt[p]{a(x)}$ .